

# Z2



Z2

# Specification sheet

---

## Z2 RECEPTION DESKS

### Z2 RECEPTION DESKS

#### **Straight and 90° corner modules**

Made of 25mm melamine faced chipboard (MFC) finished with 2mm ABS impact resistant edges. Easy to clean scratch-resistant anti-reflective melamine available in four finish options, three feature a textured surface (canaletto walnut, wenguè, elm), one a smooth one (white).

A straight module consists in a back panel and a countertop each with a 45° mitred side. They are 90° linked together by joining the two mitred sides.

A 90° corner module consists in two back panels and two countertops each with two 45° mitred sides. They are 90° linked together by joining the mitred sides to form a 90° angle.

0-12mm die-cast zamak adjustable levelling feet with round Abs molded scratch-resistant base.

#### **DDA (Disability Discrimination Act) low modules**

725mm high straight modules to let disabled people access the reception are also part of the range. Made of 25mm melamine faced chipboard (MFC) and available in four widths. The worktop is supplied with a 300mm overhang for wheelchair users.

#### **Worktops**

Made of 30mm melamine faced chipboard (MFC) finished with 2mm ABS impact resistant edges. Easy to clean scratch-resistant anti-reflective melamine available in four finish options, three feature a textured surface (canaletto walnut, wenguè, elm), one a smooth one (white).

#### **Oversailing counters**

Made of 30mm melamine faced chipboard (MFC) finished with 2mm ABS impact resistant edges. Easy to clean scratch-resistant anti-reflective melamine available in four finish options, three feature a textured surface (canaletto walnut, wenguè, elm), one a smooth one (white).

An oversailing counter consists in a back panel and a countertop each with a 45° mitred side. They are 90° linked together by joining the two mitred sides.

Besides MFC, oversailing counters are additionally available in two more finishes.

Lacquered: a white MFC oversailing counter is coated with scratch/abrasion resistant matt lacquer in seventeen standard finish options although any Ral color can be available on request, in such a case a surcharge applies.

Leather: the outer surface of a MFC oversailing counter is covered with 1.3mm abrasion resistant leather embellished with matching stitching. Available in four finish options.

#### **Metalwork**

Supporting tubular legs made of 50x50mm epoxy powder coated 1.5mm steel hollow tube provided with upper steel plate which screws on the Mfc top lower surface. Metal-to-metal fixings. 0-15mm steel adjustable levelling feet with round black nylon scratch-resistant base.

All brackets and fixings used to install and link modules and tops together are made of epoxy powder coated metal.

All metalwork is available in two finish options, white or silver.

#### **Lighting**

Cold light peel-and-stick LED strip to install on the lower end of oversailing counters consisting of a flexible 240 LED/m 19.2 W/m circuit. IP rating = 20. Supplied in three widths 1200, 1400, 1600mm, the strip can be folded or cut without compromising safety and functionality. It comes complete with on/off switch to install on site on the back panel of straight or 90° corner modules.

Cold light LED tube to install on the lower surface of the countertop of oversailing counters to light the worksurface. It consists of a 240LED/m 21W tube made of anti-glare translucent polycarbonate. IP rating = 20. On/off touch switch.

#### **Cable management**

Multiple solutions are available. Check out the relevant price list sections for details or ask your Quadrifoglio agent.

Desktop cable management:

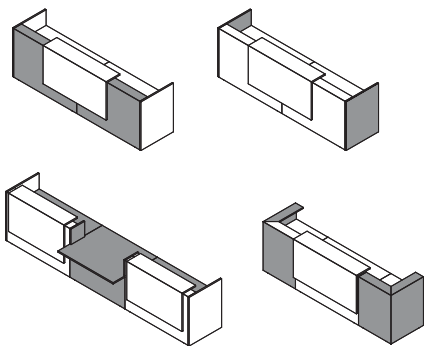
- aluminium 450 or 300mm wide hinged flaps with integral cable tray under
- ABS ø60mm cable ports

Horizontal underdesk cable management:

- steel wire tilting demountable cable baskets
- entry level Pvc cable trays

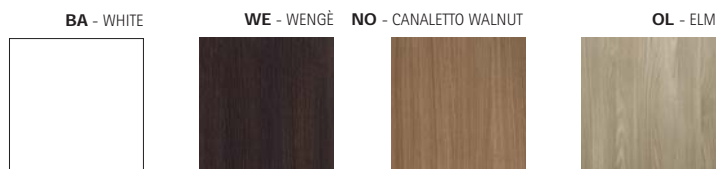
Vertical cable management:

- steel or ABS cable spines
- entry level polycarbonate peel-and-stick cable risers.



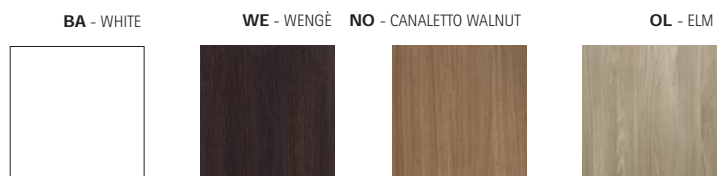
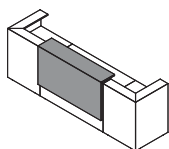
## Straight and 90° corner modules, worktops

ME - Melamine



## Oversailing counters

ME - Melamine



LA - Matt lacquered

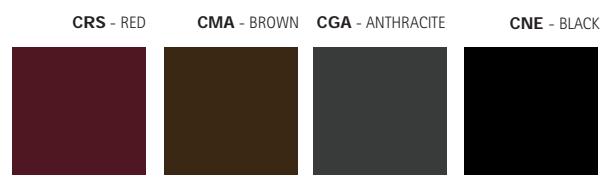
\*\*FROM STOCK

\*\*7 WEEK DELIVERY FOR ANY OF THE 12 NON-STOCK LACQUERED OVERSAILING COUNTERS OR FOR ANY OTHER RAL COLOR ON REQUEST



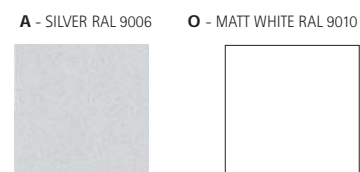
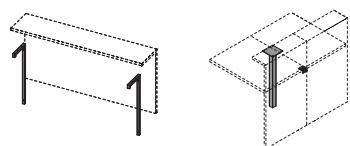
CU - Leather

\*PRODUCTION LEAD TIME: 5 WEEKS



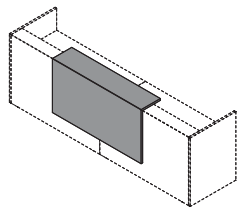
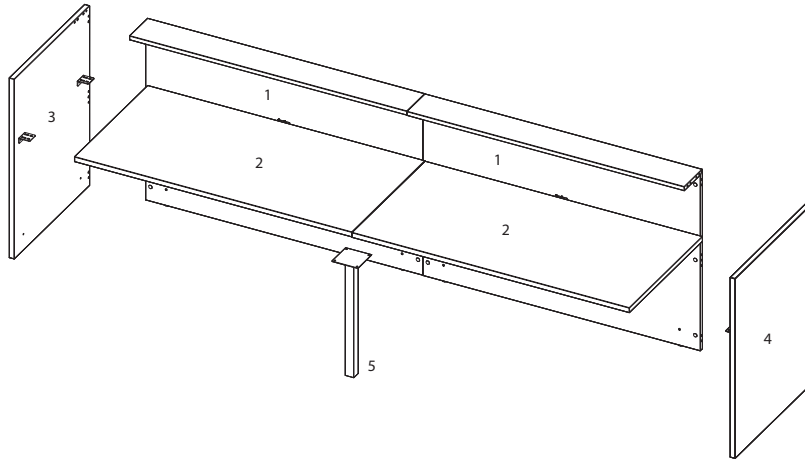
## Brackets, legs

M - Metal



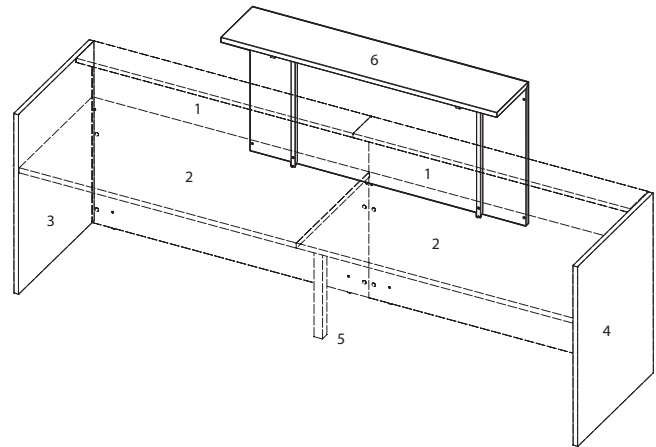
# Technical features

## STRAIGHT CONFIGURATION WITH SIDE PANELS



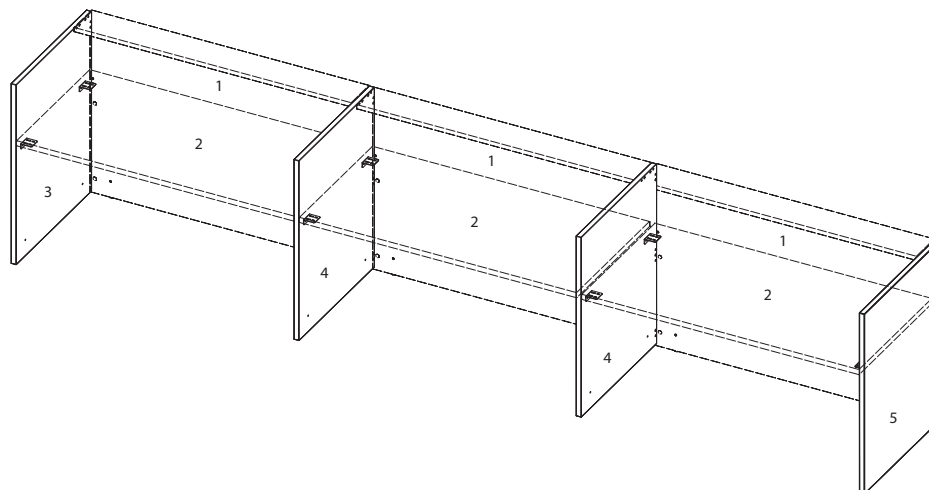
- 1. straight module
- 2. worktop
- 3. LH end side panel
- 4. RH end side panel
- 5. middle leg
- 6. oversailing counter

## OVERSAILING COUNTER

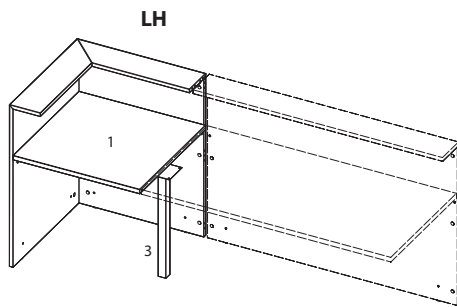


## STRAIGHT CONFIGURATION WITH SIDE AND MIDDLE PANELS

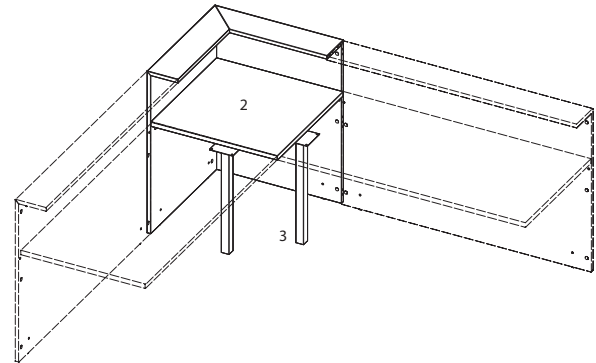
- 1. straight module
- 2. worktop
- 3. LH end side panel
- 4. middle panel
- 5. RH end side panel



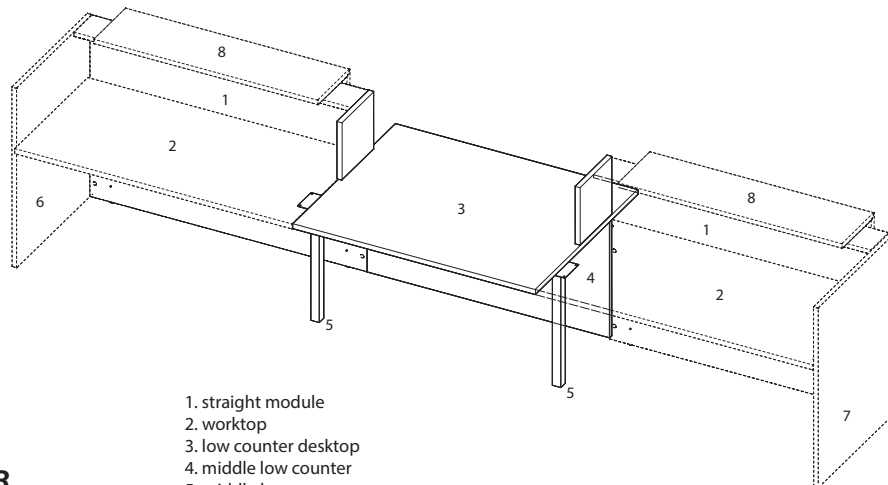
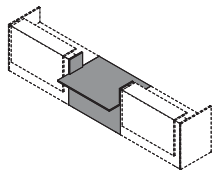
## 90° END CORNER



- 1. 90° end corner
- 2. 90° middle corner
- 3. middle leg



## CONFIGURATION WITH MIDDLE LOW COUNTER



- 1. straight module
- 2. worktop
- 3. low counter desktop
- 4. middle low counter
- 5. middle leg
- 6. LH end side panel
- 7. RH end side panel
- 8. oversailing counter
- 9. LH low counter
- 10. RH low counter

## CONFIGURATION WITH END LOW COUNTER

